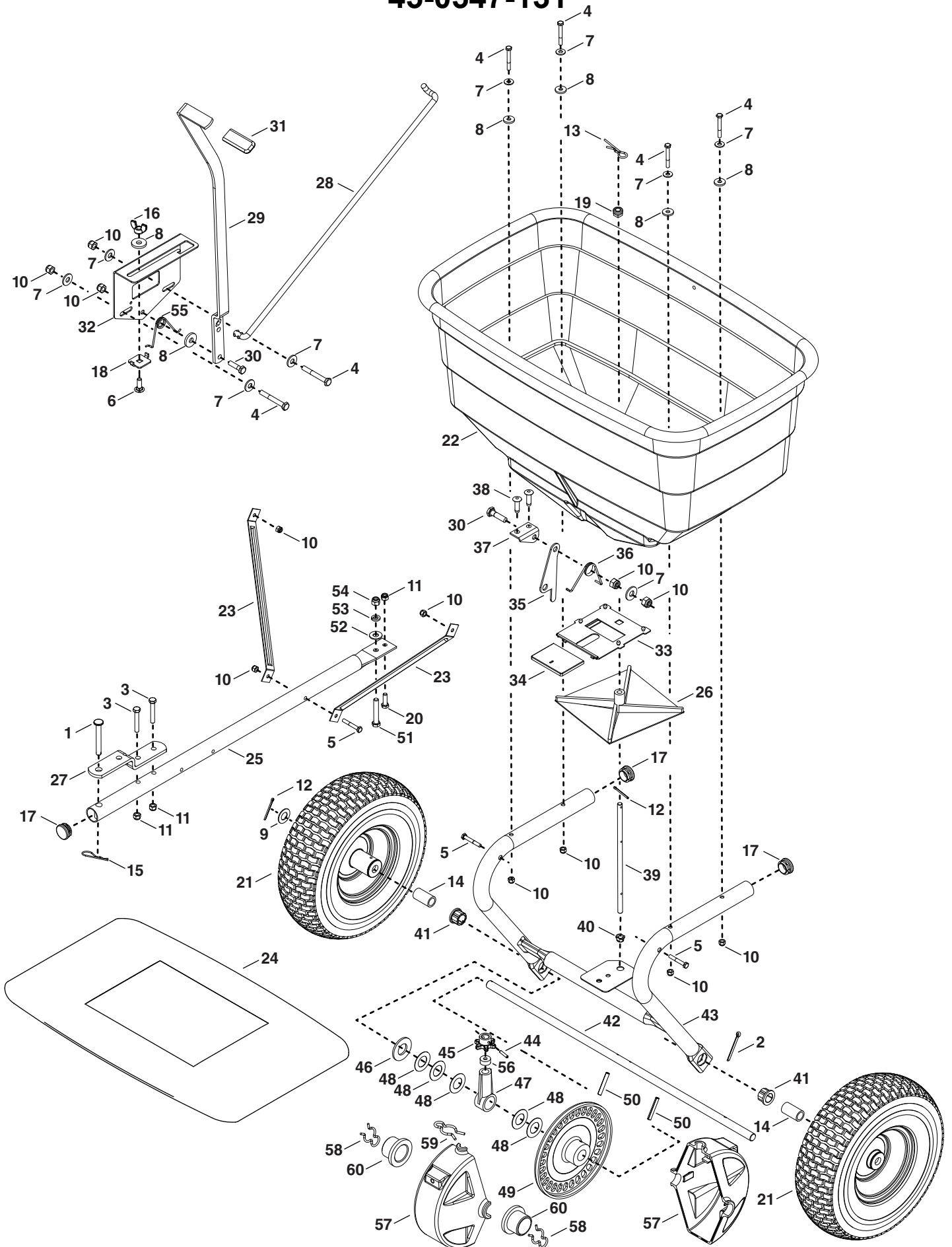


45-0547-131



| REF | QTY | PART NO | DESCRIPTION | REF | QTY | PART NO | DESCRIPTION |
|-----|-----|-----------|-------------------------------|-----|-----|-----------|-----------------------------|
| 1 | 1 | 47623 | PIN, HITCH 3/8 X 3 | 32 | 1 | 27322BL1 | FLOW CONTROL MOUNT |
| 2 | 1 | 46855 | PIN, COTTER 3/16 X 2 | 33 | 1 | 62482 | GUIDE CLOSURE |
| 3 | 2 | 44180 | BOLT, HEX 5/16-18 X 2 | 34 | 1 | 23533 | PLATE, CLOSURE |
| 4 | 6 | 46699 | BOLT, HEX 1/4-20 X 2 | 35 | 1 | 23758 | BRACKET, SLIDE GATE |
| 5 | 3 | 1509-69 | BOLT, HEX 1/4-20 X 1-3/4 | 36 | 1 | 44566 | SPRING, TORSION |
| 6 | 1 | 44950 | BOLT, CARR .25-20 X .75 | 37 | 1 | 23753 | ANGLE BRACKET |
| 7 | 9 | 43088 | WASHER, .312 X .734 X .065 | 38 | 2 | C-9M5732 | RIVET |
| 8 | 6 | 1543-69 | WASHER, NYLON .328 X .75 X .9 | 39 | 1 | 25305 | SPREADER SHAFT |
| 9 | 1 | R19212016 | WASHER, .656 X 1.25 X .059 | 40 | 1 | 42839 | BUSHING, 3/8" PLASTIC |
| 10 | 12 | 47189 | NUT, HEX 1/4-20 NYLOC | 41 | 2 | 45751 | BEARING, FLANGE |
| 11 | 3 | 47810 | NUT, HEX .312-18 NYLOC | 42 | 1 | 28640 | AXLE SHAFT |
| 12 | 2 | 43093 | PIN, COTTER 1/8 X 1-1/2 | 43 | 1 | 68880GY1 | TUBE FRAME |
| 13 | 1 | 48934 | HAIRPIN, AGITATOR | 44 | 1 | 43850 | PIN, ROLL 1/8 X 5/8 |
| 14 | 2 | 45750 | SPACER, PLASTIC EXTRUSION | 45 | 1 | 44468 | SPROCKET |
| 15 | 1 | 43343 | PIN, HAIR COTTER 3/32 | 46 | 1 | R19212113 | WASHER, .656 X 1.312 X .095 |
| 16 | 1 | 47141 | NUT, WING 1/4-20 NYLON | 47 | 1 | 45753 | BUSHING, AXLE/SHAFT |
| 17 | 3 | 47674 | PLUG, 1-1/4" OD TUBE | 48 | 5 | 44125 | WASHER, .625 X 1 X .03 |
| 18 | 1 | 24858 | STOP, FLOW CONTROL | 49 | 1 | 64735 | GEAR 5/8" ID |
| 19 | 1 | 44285 | BUSHING, DELRIN 3/8 | 50 | 2 | 44665 | PIN, ROLL 3/16 X 1-1/4 |
| 20 | 1 | 43063 | BOLT, HEX .312 X 1 | 51 | 1 | HA180132 | BOLT, HEX 3/8-16 X 2-1/4 |
| 21 | 2 | 45825G | WHEEL, 13 X 5.00-6 | 52 | 1 | 43070 | WASHER, .438 X 1 X .083 |
| 22 | 1 | 44480 | HOPPER | 53 | 1 | 43003 | WASHER, LOC 3/8 |
| 23 | 2 | 23525GY1 | BRACE, HITCH | 54 | 1 | HA21362 | NUT, HEX 3/8-16 NYLOC |
| 24 | 1 | 40825 | HOPPER COVER | 55 | 1 | 42347 | SPRING, TORSION |
| 25 | 1 | 45797GY1 | HITCH TUBE | 56 | 1 | 23625 | SPACER |
| 26 | 1 | 04367 | SPREADER IMPELLER | 57 | 2 | 42497 | HOUSING, TRANSMISSION |
| 27 | 1 | 23687BL1 | HITCH BRACKET | 58 | 2 | 49897 | CLIP, HAIRPIN 7/8 |
| 28 | 1 | 41549 | FLOW CONTROL ROD | 59 | 1 | 49898 | CLIP, HAIRPIN 5/8 |
| 29 | 1 | 27314BL3 | ARM, FLOW CONTROL | 60 | 2 | 741-0249 | BEARING, FLANGED |
| 30 | 2 | 43661 | BOLT, HEX .25-20 X 1 | | 1 | 3-39 | OWNERS MANUAL |
| 31 | 1 | 43848 | GRIP | | | | |



Look for this symbol to point out important safety precautions. It means — **ATTENTION!** Become alert! Your safety is involved.



CAUTION: vehicle braking and stability may be affected with the addition of an accessory or an attachment. Be aware of changing conditions on slopes.

- Read the towing vehicle owners manual and towing vehicle safety rules. Know how to operate your tractor before using the broadcast spreader attachment.
- Read the chemical label instructions and cautions for handling and applying the chemicals purchased for spreading.
- Wear eye and hand protection when handling and when applying lawn or garden chemicals.
- Never operate tractor and spreader attachment without wearing substantial footwear, and do not allow anyone to ride or sit on spreader attachment frame.
- Never allow children to operate the tractor or spreader attachment, and do not allow adults to operate without proper instructions.
- Always begin with the transmission in first (low) gear and with the engine at low speed, and gradually increase speed as conditions permit.
- When towing broadcast spreader do not drive too close to a creek or ditch and be alert for holes and other hazards which could cause you to lose control of the broadcast spreader and tractor.
- Before operating vehicle on any grade (hill) refer to the safety rules in the vehicle owner's manual concerning safe operation on slopes. Stay off steep slopes!
- Follow maintenance and lubrication instructions as outlined in this manual.